

# MONOBLOK KONİK ÖLÇÜ SAYFALARI

Monoblock Bevel Gear Dimension Tables

Monoblok-Kegelrad Maßblätter

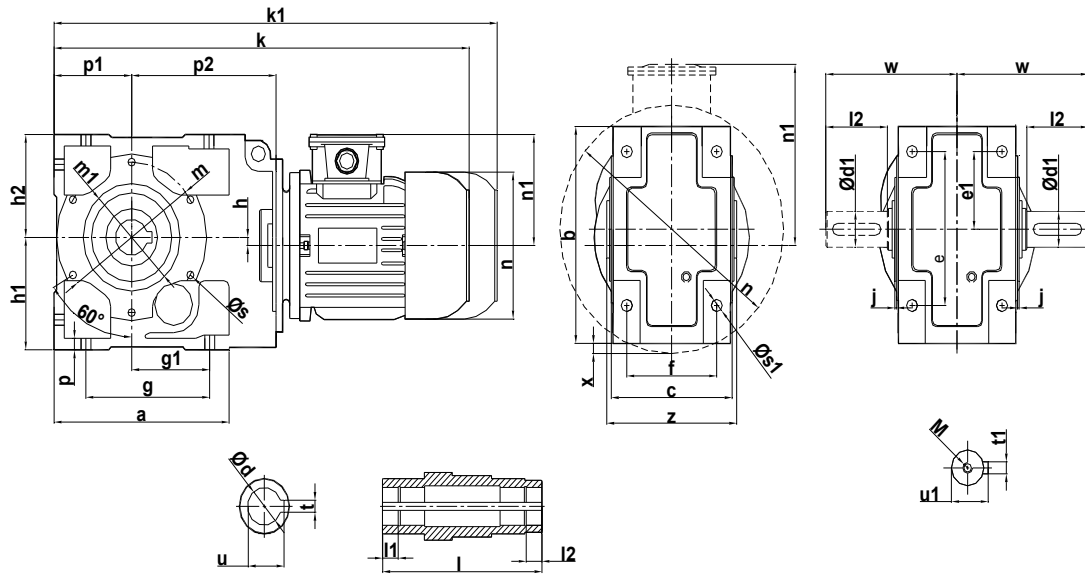


Mil ucu çektirme deliği DIN 332, sayfa 2 // \_ Tapped center hole to DIN 332, sheet 2 // \_Zentrierung mit gewinde  
DIN 332,Blatt 2

KRM...00

KRM...01

KRM...04



Tipi TYPE TYP	Montaj Ölçüleri Mounting Dimensions Befestigungsmabe													Dış Boyutlar Outline Dimensions Anschlußmabe					Mil Ölçüleri Shaft Dimensions Wellenmabe						
	a	b	c	f	g g1	e e1	h h1	h2 h2	m1 m1	s s1	p p1	p2 p2	z	x	k	k1	n	n1	d	d1	t t1	u u1	l l1	l2	
63														—	425	—	121	98							
71														—	444	564	138	110							
KRM273.00 80														—	473	593	156	118							
KRM273.01 90S	195	205	145	120	130 95	130 55	7,5 112	93 115	95 2,5	M8 11	14	71	167	—	501	626	176	126	35 (H8)	35 (k6)	10 10	38,3 38	157 M12	15 60	
KRM273.04 90L														—	526	651	176	126							
100L														—	565	700	194	135							
112M														4,5	587	722	218	146							
71														—	480	600	138	110							
80														—	509	629	156	118							
90S														—	537	662	176	126							
KRM373.00 90L														—	563	688	176	126							
KRM373.01 100L	230	250	170	140	140 100	160 65	12,3 140	110 130	110 3	M10 14	17 90	194	174	—	601	736	194	135	40 (H8)	40 (k6)	12 12	43,3 43	185 M16	20 80	
KRM373.04 112M														—	623	758	218	146							
132S														5	675	820	258	168							
132M														5	713	858	258	168							
160M														33	802	972	312	225							
160L														33	845	1015	312	225							
80														—	574	694	156	118							
90S														—	593	718	176	126							
90L														—	618	743	176	126							
100L														—	654	789	194	135							
KRM473.00 112M														—	679	814	218	146							
KRM473.01 132S	268	320	200	165	150 110	200 75	13 180	140 165	130 3	M12 16	20 112	234	204	—	731	876	258	168	50 (H8)	50 (k6)	14 14	53,8 53,5	215 M16	20 100	
KRM473.04 132M														—	769	914	258	168							
160M														—	858	1028	310	225							
160L														—	901	1071	310	225							
180M														7	910	1080	348	241							
180L														7	954	1124	348	241							
100L														—	706	841	194	135							
112M														—	728	863	218	146							
132S														—	780	925	258	168							
KRM573.00 132M														—	818	963	258	168							
KRM573.01 160M	313	375	230	180	180 125	233 91	17,5 212	163 212	180 3	M14 22	22 132	289	235	—	904	1074	310	225	60 (H8)	60 (k6)	18 18	64,4 64	246 M20	20 120	
KRM573.04 160L														—	947	1117	310	225							
180M														—	952	1122	348	241							
180L														—	997	1167	348	241							
200L														—	1052	1252	385	275							

# MONOBLOK KONİK ÖLÇÜ SAYFALARI

Monoblock Bevel Gear Dimension Tables

Monoblok-Kegelrad Maßblätter

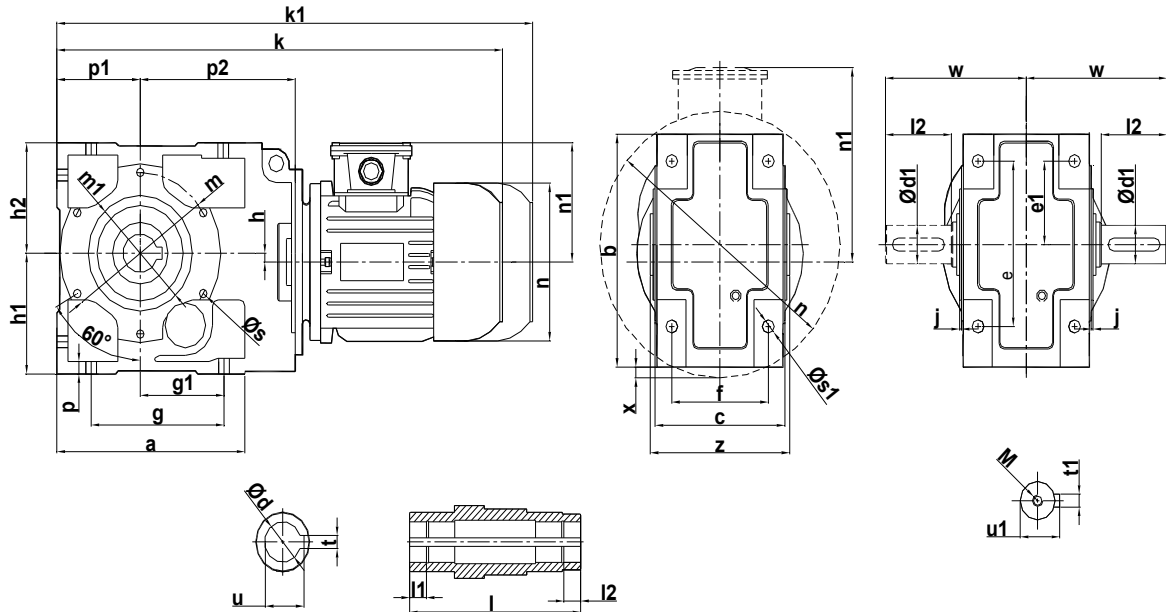


Mil ucu çektirme deliği DIN 332, sayfa 2 // \_ Tapped center hole to DIN 332, sheet 2 // \_Zentrierung mit gewinde  
DIN 332,Blatt 2

KRM...00

KRM...01

KRM...04



Tipi TYPE TYP	Montaj Ölçüleri Mounting Dimensions Befestigungsmabe														Dış Boyutlar Outline Dimensions Anschlussmabe					Mil Ölçüleri Shaft Dimensions Wellenmabe					
	a	b	c	f	g g1	e e1	h h1	h2 m	m1 j	s s1	p p1	p2 w	z	X	k	k1	n	n1	d	d1	t t1	u u1	l M	l1 l2	
112M														—	803	938	218	146							
132S														—	856	1001	258	168							
132M														—	893	1038	258	168							
KRM673.00 160M														—	982	1152	310	225							
KRM673.01 160L	392	440	290	240	240	295	18	175	180	M14	24	327	29	—	1025	1195	310	225	70 (H8)	70 (m6)	20	74,9	308	30	
KRM673.04 180M					165	105	265	215	3	26	160	302		—	1029	1199	348	241							
180L														—	1073	1243	348	241							
200L														—	1127	1327	385	275							
225S														—	1143	—	433	285							
225M														—	1168	—	433	285							
132S														—	927	1072	258	168							
132M														—	965	1110	258	168							
160M														—	1055	1225	310	225							
KRM773.00 160L														—	1098	1268	310	225							
KRM773.01 180M	459	540	340	270	280	360	29	225	230	M14	26	364	346	—	1106	1276	348	241	90 (H8)	90 (m6)	25	95,4	360	30	
KRM773.04 180L					185	140	315	265	3	33	200	360		—	1150	1320	348	241							
200L														—	1200	1400	385	275							
225S														—	1218	—	433	285							
225M														—	1243	—	433	285							
250M														—	1388	—	480	322							
132S														—	1030	1175	258	168							
132M														—	1068	1213	258	168							
160M														—	1155	1325	310	225							
160L														—	1198	1368	310	225							
180M														—	1206	1367	348	241							
KRM873.00 180L														—	1250	1420	348	241							
KRM873.01 200L	549	610	400	330	350	420	22,5	235	250	M16	30	462	410	—	1300	1500	385	275	110 (H8)	110 (m6)	28	116,4	428M	40	
KRM873.04 225S					236	155	375	300	5	39	225	434		—	1320	—	433	285							
225M														—	1345	—	433	285							
250M														—	1415	—	480	322							
280S														—	1455	—	536	351							
280M														—	1505	—	536	351							

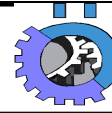




# MONOBLOK KONİK ÖLÇÜ SAYFALARI

Monoblock Bevel Gear Dimension Tables

Monoblok-Kegelrad Maßblätter



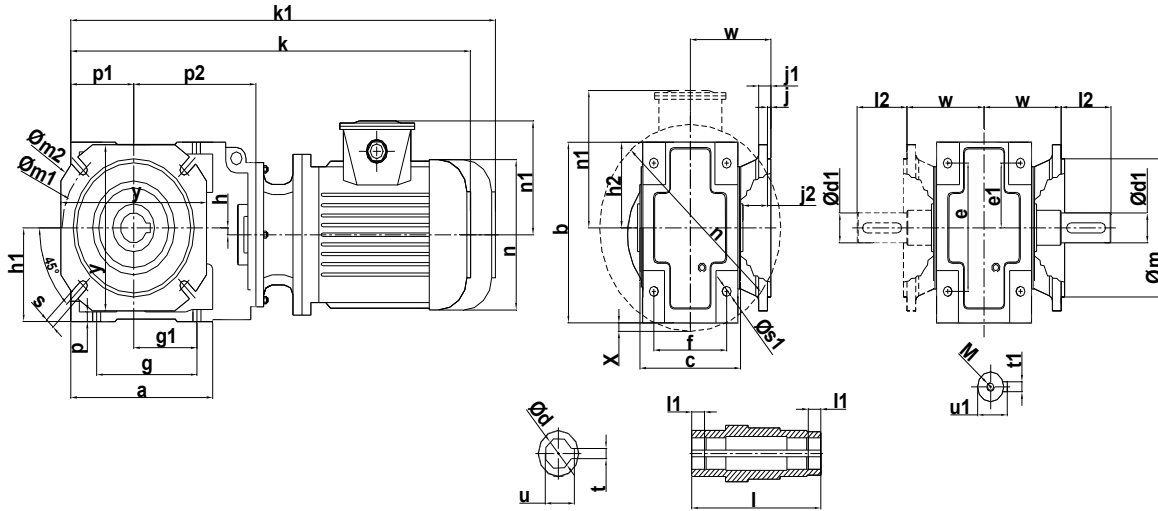
# ZTEKFEN REDÜKTÖR

Mil ucu çektirme deliği DIN 332, sayfa 2 // Tapped center hole to DIN 332, sheet 2 // Zentrierung mit gewinde DIN 332, Blatt 2

KRM...02

KRM...03

KRM...05



Tipi TYPE TYP	Montaj Ölçüleri Mounting Dimensions Befestigungsmabe												Dış Boyutlar Outline Dimensions Anschlußmabe					Mil Ölçüleri Shaft Dimensions Wellenmabe					
	a	c	g	e	h	h2	m1	s	p	p2	w	j1	X	k	k1	n	n1	d	d1	t	u	l	l1
	b	f	g1	e1	h1	m	m2	s1	p1	p2	j	j2								t1	u1	M	l1
112M													—	803	938	218	146						
132S													—	856	1001	258	168						
132M													—	893	1038	258	168						
<b>KRM673.02</b> 160M													—	982	1152	310	225						
<b>KRM673.03</b> 160L	392	290	240	295	18	175	350	18	24	327	210	20	—	1025	1195	310	225	70	70	20	74,9	308	30
<b>KRM673.05</b> 180M	440	240	165	105	265	300	400	26	160		5	56	—	1029	1199	348	241	(H8)	(m6)	20	74,5	M20	140
180L													—	1073	1243	348	241						
200L													—	1127	1327	385	275						
225S													—	1143	—	433	285						
225M													—	1168	—	433	285						
132S													—	927	1072	258	168						
132M													—	965	1110	258	168						
160M													—	1055	1225	310	225						
<b>KRM773.02</b> 160L													—	1098	1268	310	225						
<b>KRM773.03</b> 180M	459	340	280	360	29	225	400	18	26	364	251	24	—	1106	1276	348	241	90	90	25	95,4	360	30
<b>KRM773.05</b> 180L	540	270	185	140	315	350	450	33	200		5	69,5	—	1150	1320	348	241	(H8)	(m6)	25	95	M24	170
200L													—	1200	1400	385	275						
225S													—	1218	—	433	285						
225M													—	1243	—	433	285						
250M													—	1388	—	480	322						
132S													—	1030	1175	258	168						
132M													—	1068	1213	258	168						
160M													—	1155	1325	310	225						
160L													—	1198	1368	310	225						
180M													—	1206	1367	348	241						
<b>KRM873.01</b> 180L													—	1250	1420	348	241						
<b>KRM873.03</b> 200L	549	400	350	420	22,5	235	500	18	30	462	304	26	—	1300	1500	385	275	110	110	28	116,4	428M	40
<b>KRM873.05</b> 225S	610	330	236	155	375	450	550	39	225		5	90	—	1320	—	433	285	(H8)	(m6)	28	116,0	24	210
225M													—	1345	—	433	285						
250M													—	1415	—	480	322						
280S													—	1455	—	536	351						
280M													—	1505	—	536	351						





# MONOBLOK KONİK ÖLÇÜ SAYFALARI

Monoblock Bevel Gear Dimension Tables

Monoblock-Kegelrad Maßblätter

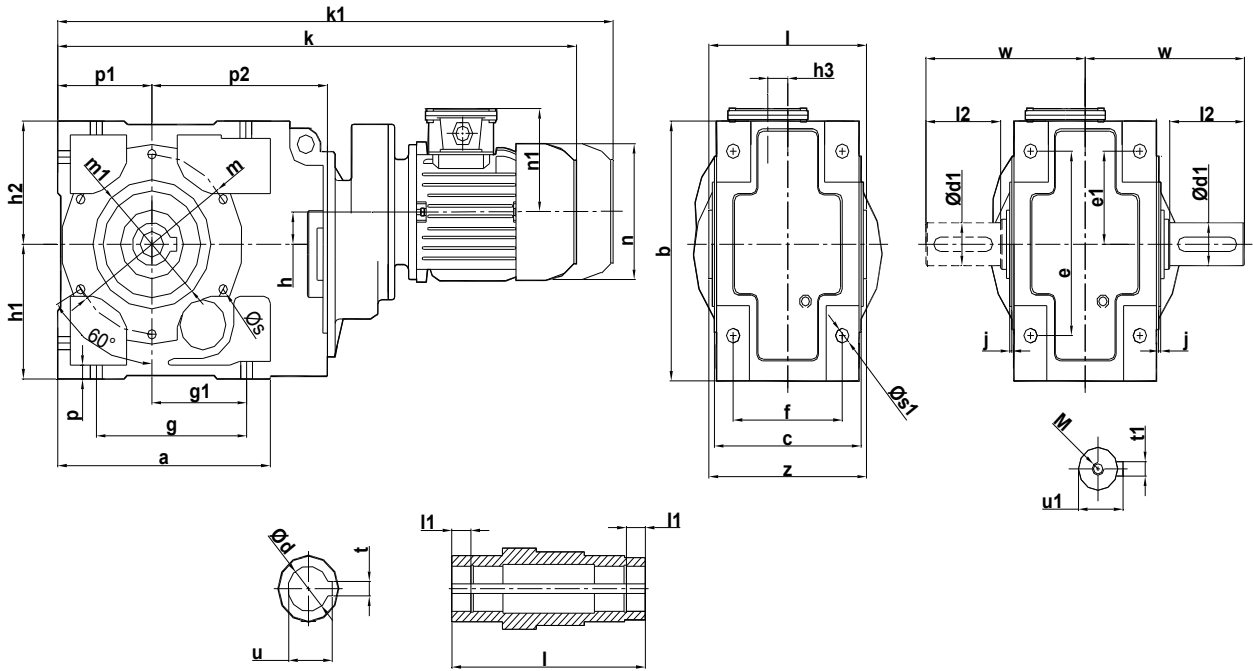


Mil ucu çektirme deliği DIN 332, sayfa 2 // Tapped center hole to DIN 332, sheet 2 // Zentrierung mit gewinde  
DIN 332, Blatt 2

KRM...00

KRM...01

KRM...04



Tipi TYPE TYP	Montaj Ölçüleri Mounting Dimensions Befestigungsmabe													Dış Boyutlar Outline Dimensions Anschlussmabe					Mil Ölçüleri Shaft Dimensions Wellenmabe						
	a	b	c	f	g <sub>g1</sub>	e <sub>e1</sub>	h <sub>h1</sub>	h <sub>h2</sub>	h <sub>h3</sub>	s <sub>s1</sub>	p <sub>p1</sub>	p <sub>p2</sub>	z <sub>z</sub>	m <sub>m1</sub>	X	k	k1	n	n1	d	d1	t <sub>t1</sub>	u <sub>u1</sub>	l <sub>l1</sub>	l <sub>l2</sub>
	80 90S 90L 100L KRM674.00 112M KRM674.01 132S KRM674.04 132M 160M 160L 180M 180L					240	295	41,7	175	M14	24	327	296	180	—	809	928	156	118	70	70	20	74,9	308	30
	392	440	290	240	165	105	265	48	26	160	302	215	3	—	974	1119	258	168	(H8)	(m6)	20	74,5	M20	140	
80 90S 90L 100L KRM774.00 112M KRM774.01 132S KRM774.04 132M 160M 160L 180M 180L					280	360	30,8	225	M14	26	364	348	230	—	886	1006	156	118	90	90	25	95,4	363	30	
	459	540	340	270	185	140	225	48	33	200	361,5	265	4	—	913	1038	176	126	(H8)	(m6)	25	95	M24	170	
100L 112M 132S KRM874.00 132M KRM874.01 160M KRM874.04 160L 180M 180L 200L					350	420	51,5	235	M16	30	462	410	250	—	897	1032	194	135	110	110	28	116,4	428	40	
	549	610	400	330	236	115	375	60,5	39	225	434	300	5	—	922	1057	218	146	(H8)	(m6)	28	116,0	M24	210	



# MONOBLOK KONİK ÖLÇÜ SAYFALARI

Monoblock Bevel Gear Dimension Tables

Monoblock-Kegelrad Maßblätter

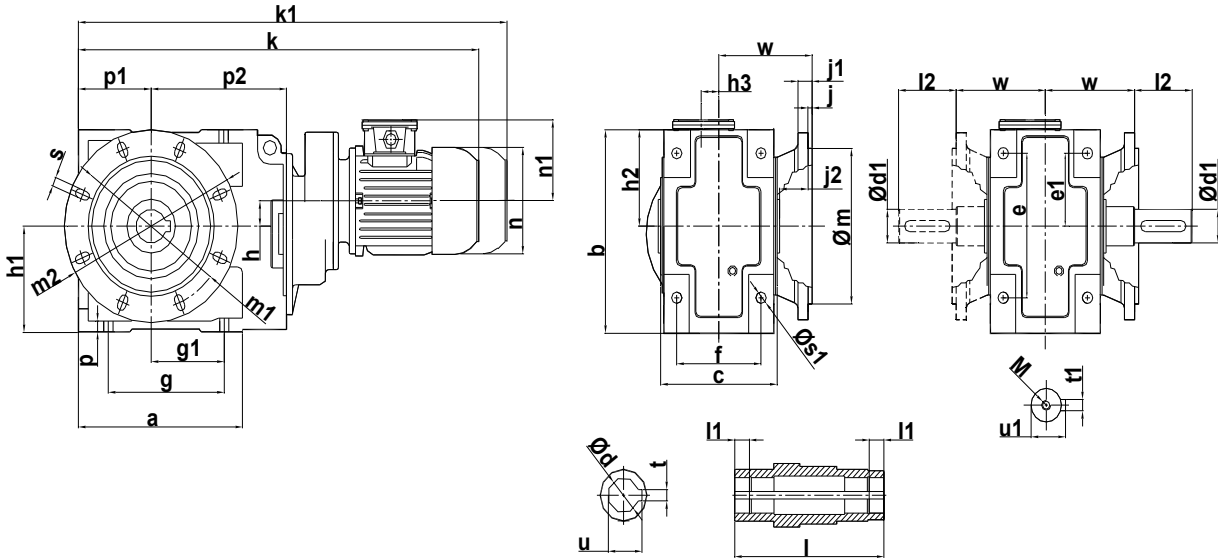


Mil ucu çektirme deliği DIN 332, sayfa 2 // \_ Tapped center hole to DIN 332, sheet 2 // \_Zentrierung mit gewinde  
DIN 332, Blatt 2

KRM...02

KRM...03

KRM...05



Tipi TYPE TYP	Montaj Ölçüleri Mounting Dimensions Befestigungsmabe													Dış Boyutlar Outline Dimensions Anschlubmabe					Mil Ölçüleri Shaft Dimensions Wellenmabe						
	a	c	g	e	h	h2	m	m1	s	p	p2	w	j1	X	k	k1	n	n1	d	d1	t	u	l	l1	l2
	b	f	g1	e1	h1	h3		m2	s1	p1	y	j	j2								t1	u1	M	l1	l2
KRM374.02 KRM374.03 KRM374.05	63													—	541	—	121	98							
	71													—	560	680	138	110							
	80													—	590	710	156	118							
	90S	230	170	140	160	32,7	110	180	215	14	17	194	129	14	—	617	742	176	126	40	40	12	43,3	185	20
	90L	250	140	100	65	140	23		250	14	90	210	4	36,5	—	642	767	176	126	(H8)	(k6)	12	43	M16	80
	100L														—	681	816	194	135						
112M														—	702	837	218	146							
KRM474.02 KRM474.03 KRM474.05	71													—	627	747	138	110							
	80													—	656	776	156	118							
	90S													—	685	810	176	126							
	90L													—	710	835	176	126							
	100L	268	200	150	200	43	140	230	265	14	20	234	148	16	—	748	883	194	135	50	50	14	53,8	215	20
	112M	320	165	110	75	180	25		300	16	112	240	4	40,5	—	770	905	218	146	(H8)	(k6)	14	53,5	M16	100
	132S														—	822	967	258	168						
	132M														—	860	1005	258	168						
160M														—	950	1120	310	225							
160L														—	993	1163	310	225							
KRM574.02 KRM574.03 KRM574.05	71													—	1088	1233	258	168							
	80													—	1177	1347	310	225							
	90S													—	1120	1390	310	225							
	90L													—	1224	1394	348	241							
	100L	313	230	180	233	38,5	163	250	300	18	22	289	166	18	—	1322	1392	348	241	60	60	18	64,4	246	20
	112M	375	180	125	91	212	25		350	22	132	280	5	43,5	—	1100	1235	194	135	(H8)	(m6)	18	64	M20	120
	132S														—	1122	1257	218	146						
	132M														—	1174	1319	258	168						
	160M														—	1212	1357	258	168						
	160L														—	1298	1468	310	225						

**MONOBLOK KONİK ÖLÇÜ SAYFALARI**

Monoblock Bevel Gear Dimension Tables

Monoblok-Kegelrad Maßblätter

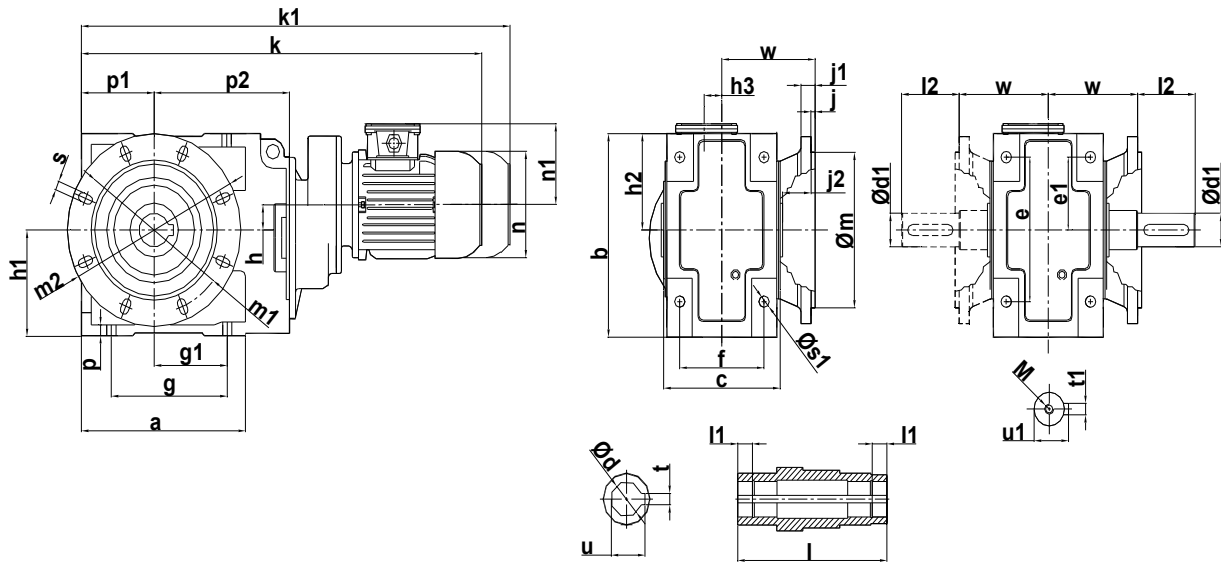


Mil ucu çektirme deliği DIN 332, sayfa 2 // \_ Tapped center hole to DIN 332, sheet 2 // \_Zentrierung mit gewinde  
DIN 332, Blatt 2

KRM...02

KRM...03

KRM...05



Tipi TYPE TYP	Montaj Ölçüleri Mounting Dimensions Befestigungsmabe												Dış Boyutlar Outline Dimensions Anschlubmabe					Mil Ölçüleri Shaft Dimensions Wellenmabe																					
	a	b	c	f	g	g1	e	e1	h	h1	h2	h3	m	m1	m2	s	s1	p	p1	p2	w	j	j1	j2	X	k	k1	n	n1	d	d1	t	t1	u	u1	l	M	l1	l2
	80	—																							809	92	156	118											
90S	—																							836	961	176	126												
90L	—																							861	986	176	126												
100L	—																							897	1032	194	135												
KRM674.02 112M	—																							922	1057	218	146												
KRM674.03 132S	392	290	240	295	41,7	175	300	350	18	24	327	210	20	—	974	1119	258	168	70	70	20	74,9	308	30															
KRM674.05 132M	440	240	165	105	265	48	300	400	26	160	5	56	—	1012	1157	258	168	(H8)	(m6)	20	74,5	M20	140																
160M	—																							1100	1270	310	225												
160L	—																							1143	1313	310	225												
180M	—																							1148	1318	348	241												
180L	—																							1192	1362	348	241												
80	—																							886	1006	156	118												
90S	—																							913	1038	176	126												
90L	—																							938	1063	176	126												
100L	—																							973	1108	194	135												
KRM774.02 112M	—																							998	1133	218	146												
KRM774.03 132S	459	340	280	360	30,8	225	350	400	18	26	364	251	24	—	1050	1195	258	168	90	90	25	95,4	363	30															
KRM774.05 132M	540	270	185	140	315	48	350	450	33	200	5	69,5	—	1088	1233	258	168	(H8)	(m6)	25	95	M24	170																
160M	—																							1177	1347	310	225												
160L	—																							1120	1390	310	225												
180M	—																							1224	1394	348	241												
180L	—																							1322	1392	348	241												
100L	—																							1100	1235	194	135												
112M	—																							1122	1257	218	146												
132S	—																							1174	1319	258	168												
KRM874.02 132M	—																							1212	1357	258	168												
KRM874.03 160M	549	400	350	420	51,5	235	450	500	18	30	462	304	26	—	1298	1468	310	225	110	110	28	116,4	428	40															
KRM874.05 160L	610	330	236	155	375	60,5	450	550	39	225	5	90	—	1341	1511	310	225			28	116,0	M24	210																
180M	—																							1346	1516	348	241												
180L	—																							1390	1560	348	241												
200L	—																							1446	1646	385	275												

# MONOBLOK KONİK ÖLÇÜ SAYFALARI

Monoblock Bevel Gear Dimension Tables

Monoblock-Kegelrad Maßblätter

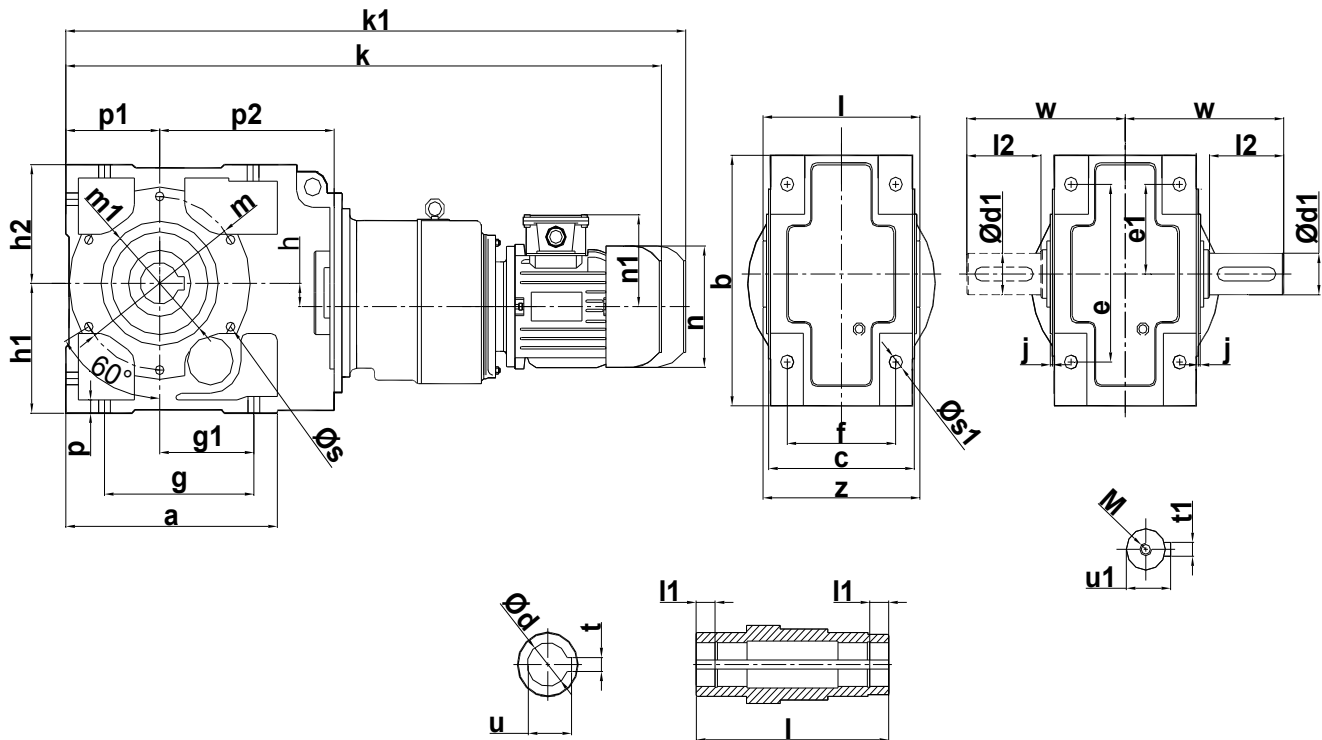


Mil ucu çektirme deliği DIN 332, sayfa 2 // \_ Tapped center hole to DIN 332, sheet 2 // \_Zentrierung mit gewinde DIN 332, Blatt 2

KRM...00

KRM...01

KRM...04



Tipi TYPE TYP	Montaj Ölçüleri Mounting Dimensions Befestigungsmaße													Dış Boyutlar Outline Dimensions Anschlußmaße				Mil Ölçüleri Shaft Dimensions Wellenmaße											
	a	b	c	f	g g1	e e1	h h1	h2 m	m1 j	s s1	p p1	p2 w	z	X	k	k1	n	n1	d	d1	t t1	u u1	l l1	M	l1 l2				
63 KRM275-276.00 71 KRM275-276.01 80 KRM275-276.04 90S 90L	195	205	145	120	130 95	130 55	16,1 112	93 115	95 2,5	M8 11	14 71	167 141	148	—	575	—	121	98	—	596	716	138	110	35 (H8)	35 (k6)	10 10	38,3 38	157 M12	15 60
63 KRM375-376.00 71 KRM375-376.01 80 KRM375-376.04 90S 90L	230	250	170	140	140 100	160 65	22,5 140	110 130	110 3	M10 14	17 90	194 176	174	—	643	—	121	98	—	661	781	138	110	40 (H8)	40 (k6)	12 12	43,3 43	185 M16	20 80
63 KRM475-476.00 71 KRM475-476.01 80 KRM475-476.04 90S 90L 100L 112M	268	320	200	165	150 110	200 75	26 180	140 165	130 3	M12 16	20 112	234 213	204	—	742	—	121	98	—	761	881	138	110	50 (H8)	50 (k6)	14 14	53,8 53,5	215 M16	20 100
63 KRM575-576.00 71 KRM575-576.01 80 KRM575-576.04 90S 90L 100L 112M	313	375	230	180	180 125	233 91	28,7 212	163 215	180 3	M14 22	22 132	289 250	235	—	788	—	121	98	—	807	927	138	110	60 (H8)	60 (m6)	18 18	64,4 64	246 M20	20 120

# MONOBLOK KONİK ÖLÇÜ SAYFALARI

Monoblock Bevel Gear Dimension Tables

Monoblock-Kegelrad Maßblätter



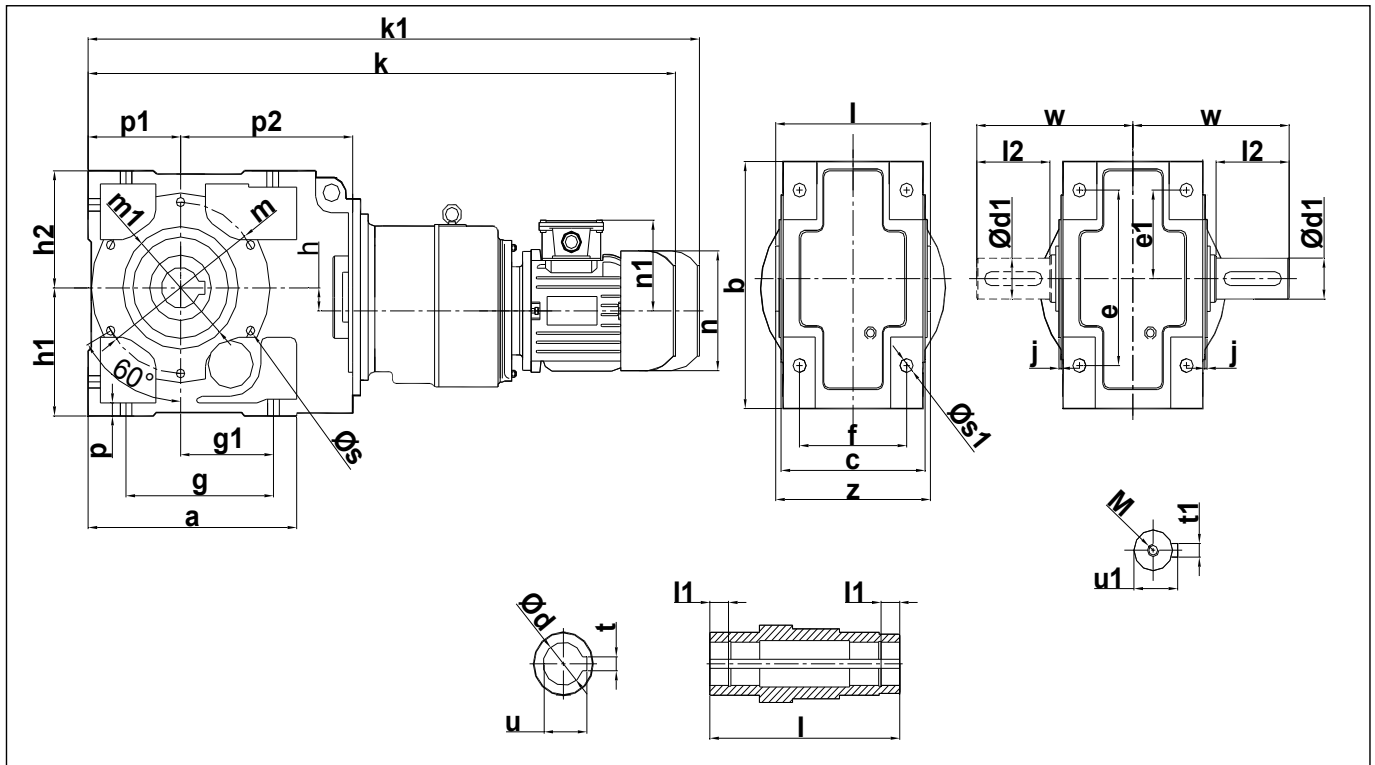
# ZTEKFEN REDÜKTÖR

\_Mil ucu çektirme deliği DIN 332, sayfa 2 // \_Tapped center hole to DIN 332, sheet 2 // \_Zentrierung mit gewinde DIN 332, Blatt 2

KRM...00

KRM...01

KRM...04



Tipi TYPE TYP	Montaj Ölçüleri Mounting Dimensions Befestigungsmabe													Dış Boyutlar Outline Dimensions Anschlussmabe					Mil Ölçüleri Shaft Dimensions Wellenmabe							
	a	b	c	f	g	e	h	h2	m1	j	s	p	p2	z	X	k	k1	n	n1	d	d1	t	u	i	l1	l2
	g1	e1	h1	m	j	s1	p1	w												(H8)	(m6)	t1	u1	M		
71															—	926	1046	138	110							
80															—	955	1075	156	118							
90S															—	983	1108	176	126							
KRM675-676.00 90L															—	1008	1133	176	126							
KRM675-676.01 100L	392	440	290	240	240	295	18	175	180	M14	24	327	296	—	1055	1190	194	135	70	70	20	74,9	308	30		
KRM675-676.04 112M					165	105	265	215	3	26	160	302		—	1068	1203	218	146	(H8)	(m6)	20	74,5	M20	140		
132S														—	1120	1265	258	168								
132M														—	1158	1303	258	168								
160M														—	1247	1417	310	225								
160L														—	1290	1460	310	225								
71														—	905	1025	138	110								
80														—	934	1054	156	118								
90S														—	962	1087	176	126								
KRM775-776.00 90L														—	987	1112	176	126								
KRM775-776.01 100L	459	540	340	270	280	360	38	225	230	M14	26	364	348	—	1025	1160	194	135	90	90	25	95,4	363	30		
KRM775-776.04 112M					185	140	315	265	4	33	200	361,5		—	1047	1182	218	146	(H8)	(m6)	25	95	M24	170		
132S														—	1099	1244	258	168								
132M														—	1137	1282	258	168								
160M														—	1226	1396	310	225								
160L														—	1269	1439	310	225								
71														—	1111	1231	138	110								
80														—	1140	1260	156	118								
90S														—	1168	1293	176	126								
KRM875-876.00 90L														—	1193	1318	176	126								
KRM875-876.01 100L	549	610	400	330	350	420	22,5	235	250	M16	30	462	410	—	1231	1366	194	135	110	110	28	116,4	428	40		
KRM875-876.04 112M					236	115	375	300	5	39	225	434		—	1253	1388	218	146			28	116,0	M24	210		
132S														—	1305	1450	258	168								
132M														—	1343	1488	258	168								
160M														—	1432	1602	310	225								
160L														—	1475	1645	310	225								















# MONOBLOK KONİK ÖLÇÜ SAYFALARI

Monoblock Bevel Gear Dimension Tables

Monoblok-Kegelrad Maßblätter

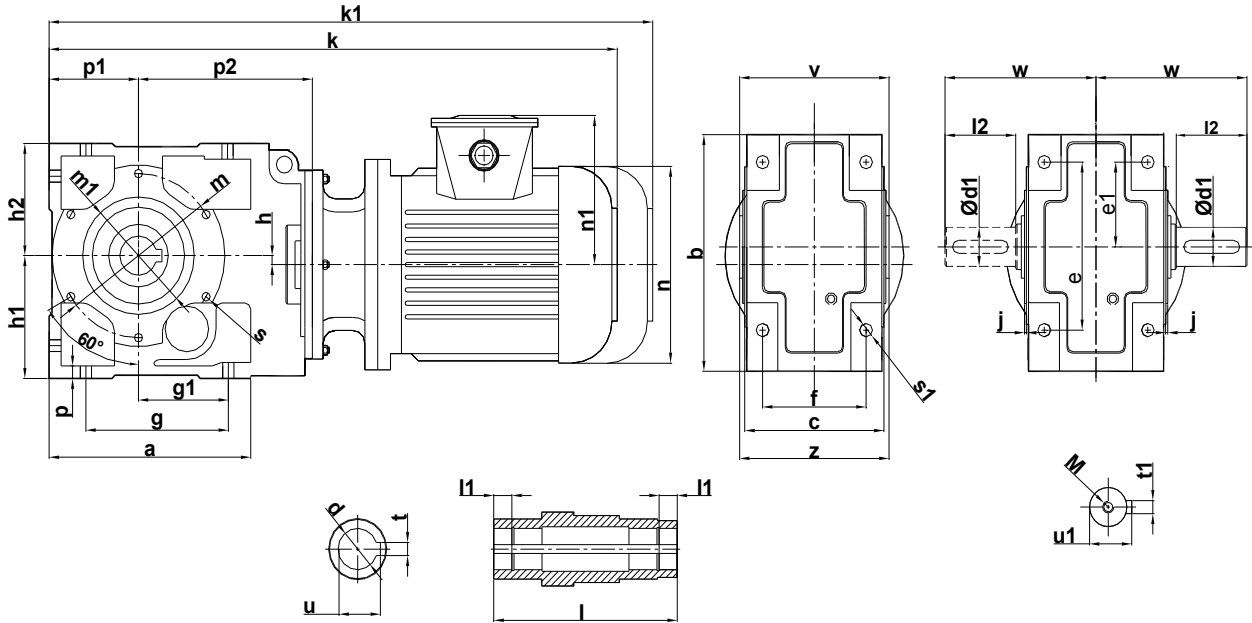


Mil ucu çekirme deliği DIN 332, sayfa 2 // \_ Tapped center hole to DIN 332, sheet 2 // \_Zentrierung mit gewinde DIN 332, Blatt 2

KRV...00

KRV...01

KRV...04

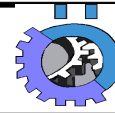


Tipi TYPE TYP	Montaj Ölçüleri Mounting Dimensions Befestigungsmabe													Dış Boyutlar Outline Dimensions Anschlussmabe				Mil Ölçüleri Shaft Dimensions Wellenmabe							
	a	b	c	f	g g1	e e1	h h1	h2 m	m1 j	s s1	p p1	p2 w	z v	x	k	k1	n	n1	d	d1	t t1	u u1	l M	l1 l2	
KRV273.00 63/B5 71/B5 80/B5 KRV273.01 90S/B5 KRV273.04 90L/B5 100L/B5 112M/B5					130	130	7,5	93	95	M8				—	504	—	121	98							
	195	205	145	120	95	55	112	115	2,5	11	14	71	167	148	—	500	620	138	110	35	35	10	38,3	157	15
															—	550	670	156	118	(H8)	(k6)	10	38	M12	60
															—	569	694	176	126						
															—	595	720	176	126						
															20,5	620	755	194	135						
KRV373.00 71/B5 80/B5 90S/B5 90L/B5 KRV373.01 100L/B5 KRV373.04 112M/B5 132S/B5 132M/B5					140	160	12,3	110	110	M10	17		194	174	20,5	620	755	194	135	40	40	12	43,3	185	20
	230	250	170	140	100	65	140	130	3	14	90	176	200	—	567	687	138	110	(H8)	(k6)	12	43	M16	80	
															—	589	709	156	118						
															—	609	734	176	126						
															—	631	756	176	126						
															—	678	813	194	135						
															—	697	832	218	146						
															22,5	750	895	258	168						
KRV473.00 80/B5 90S/B5 90L/B5 100L/B5 112M/B5 KRV473.01 132S/B5 KRV473.04 132M/B5 160M/B5 160L/B5 180M/B5 180L/B5					150	200	13	140	130	M12	20	234	204	22,5	750	895	258	168	50	50	14	53,3	215	20	
	268	320	200	165	110	75	180	165	3	16	112	213	250	—	654	774	156	118	(H8)	(k6)	14	53,5	M16	100	
															—	661	786	176	126						
															—	686	811	176	126						
															—	731	866	194	135						
															—	753	888	218	146						
															—	806	951	258	168						
															—	844	989	258	168						
															8	993	1163	310	225						
															8	1036	1206	310	225						
KRV573.00 100L/B5 112M/B5 132S/B5 132M/B5 KRV573.01 160M/B5 KRV573.04 160L/B5 180M/B5 180L/B5 200L/B5					180	233	17,5	163	180	M14	22	289	235	8	1058	1228	348	241	60	60	18	64,4	246	20	
	313	375	230	180	125	91	212	212	3	22	132	250	300	—	789	924	194	135	(H8)	(k6)	18	64	M20	120	
															—	806	941	218	146						
															—	870	1015	258	168						
															—	908	1053	258	168						
															—	1061	1231	310	225						
															—	1101	1271	310	225						
															—	1119	1289	348	241						
														—	1157	1327	348	241							
														5,5	1229	1429	385	275							

# MONOBLOK KONİK ÖLÇÜ SAYFALARI

Monoblock Bevel Gear Dimension Tables

Monoblok-Kegelrad Maßblätter



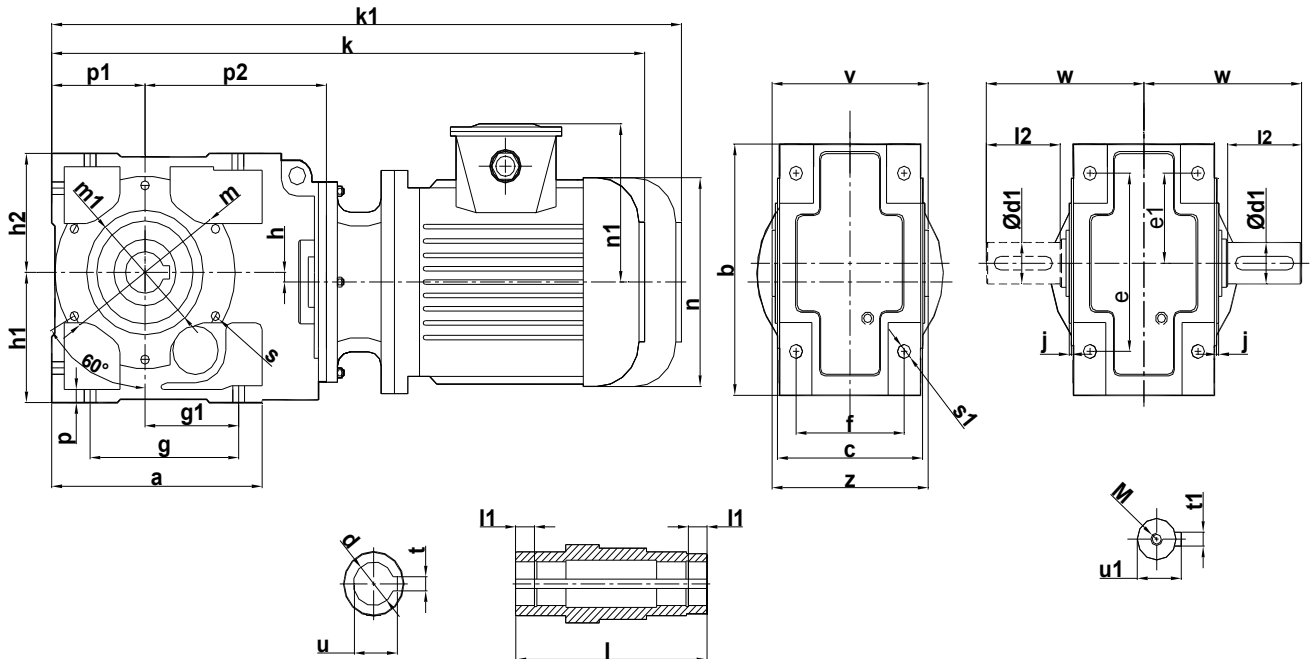
# ZTEKFEN REDÜKTÖR

Mil ucu çektirme deliği DIN 332, sayfa 2 // \_ Tapped center hole to DIN 332, sheet 2 // \_ Zentrierung mit gewinde DIN 332, Blatt 2

KRV...00

KRV...01

KRV...04



Tipi TYPE TYP	Montaj Ölçüleri Mounting Dimensions Befestigungsmabe													Dış Boyutlar Outline Dimensions Anschlußmabe				Mil Ölçüleri Shaft Dimensions Wellenmabe					
	a	b	c	f	g g1	e e1	h h1	h2 m	m1 j	s s1	p p1	p2 w	z v	k	k1	n	n1	d	d1	t t1	u u1	l M	l1 l2
100/B5														857	992	194	135						
112M/B5														877	1012	218	146						
132S/B5														931	1076	258	168						
132M/B5														968	1113	258	168						
KRV673.00 160M/B5														1117	1287	310	225						
KRV673.01 160L/B5	392	440	290	240	240	295	18	175	180	M14	24	327	296	1160	1330	310	225	70 (H8)	70 (m6)	20	74,97	308M	30
KRV673.04 180M/B5					165	105	265	215	3	26	160	302	355	1177	1347	348	241						
180L/B5														1221	1391	348	241						
200L/B5														1304	1504	385	275						
225S/B5														1337	—	433	285						
225M/B5														1362	—	433	285						
132S/B5														1023	1168	258	168						
132M/B5														1061	1206	258	168						
160M/B5														1208	1378	310	225						
160L/B5														1252	1422	310	225						
KRV773.00 180M/B5														1266	1436	348	241						
KRV773.01 180L/B5	459	540	340	270	280	360	29	225	230	M14	26	364	348	1304	1474	348	241	90 (H8)	90 (m6)	25	95,4	360	30
KRV773.04 200L/B5					185	140	315	265	3	33	200	360	420	1377	1577	385	275						
225S/B5														1447	—	433	285						
225M/B5														1479	—	433	285						
250M/B5														1546	—	480	322						
160M/B5														1290	1460	310	225						
160L/B5														1333	1503	310	225						
180M/B5														1354	1524	348	241						
KRV873.00 180L/B5														1398	1568	348	241						
KRV873.01 200L/B5	549	610	400	330	350	420	22,5	235	250	M16	30	462	410	1477	1677	385	275	110 (H8)	110 (m6)	28	116,4	428	40
KRV873.04 225S/B5					236	155	375	300	5	39	225	434	450	1514	—	433	285						
225M/B5														1539	—	433	285						
250M/B5														1609	—	480	322						
280S/B5														1737	—	536	351						
280M/B5														1809	—	536	351						



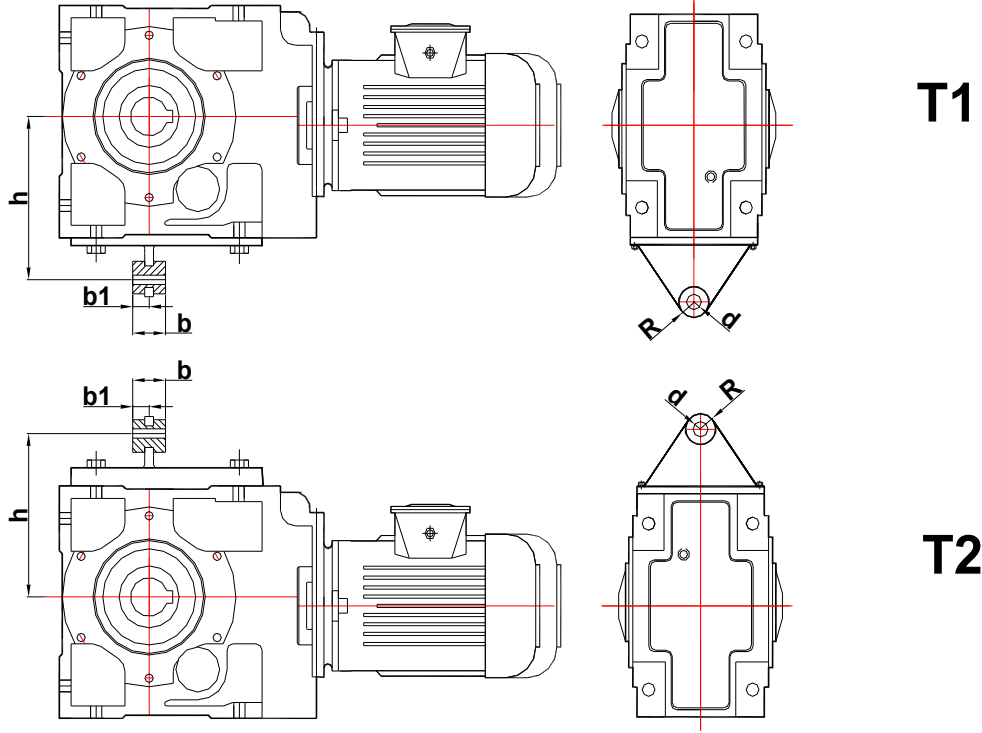




**MONOBLOK KONİK REDÜKTÖRLER**

Monoblock Bevel Gear Typ

Monoblock-Kegelrad Typ

**ZTEKFEN**  
**REDÜKTÖR****Moment Kolu Bağlantı Şekilleri / Torque-arm mounting positions**  
*Drehmoment stütze verbindungs möglichkeiten*

	Ortak /				T1	T2
	b	b1	d	R	h	h1
<b>KRM273.10</b>	40	20	10	25	119	141
<b>KRM373.10</b>	40	20	12	27,5	150	170
<b>KRM473.10</b>	50	25	14	27,5	182	210
<b>KRM573.10</b>	55	27,5	14	27,5	220	251
<b>KRM673.10</b>	60	30	16	27,5	245	260
<b>KRM773.10</b>	70	35	26	50	335	360
<b>KRM873.10</b>	80	40	28	55	400	410



# MONOBLOK KONİK REDÜKTÖRLER

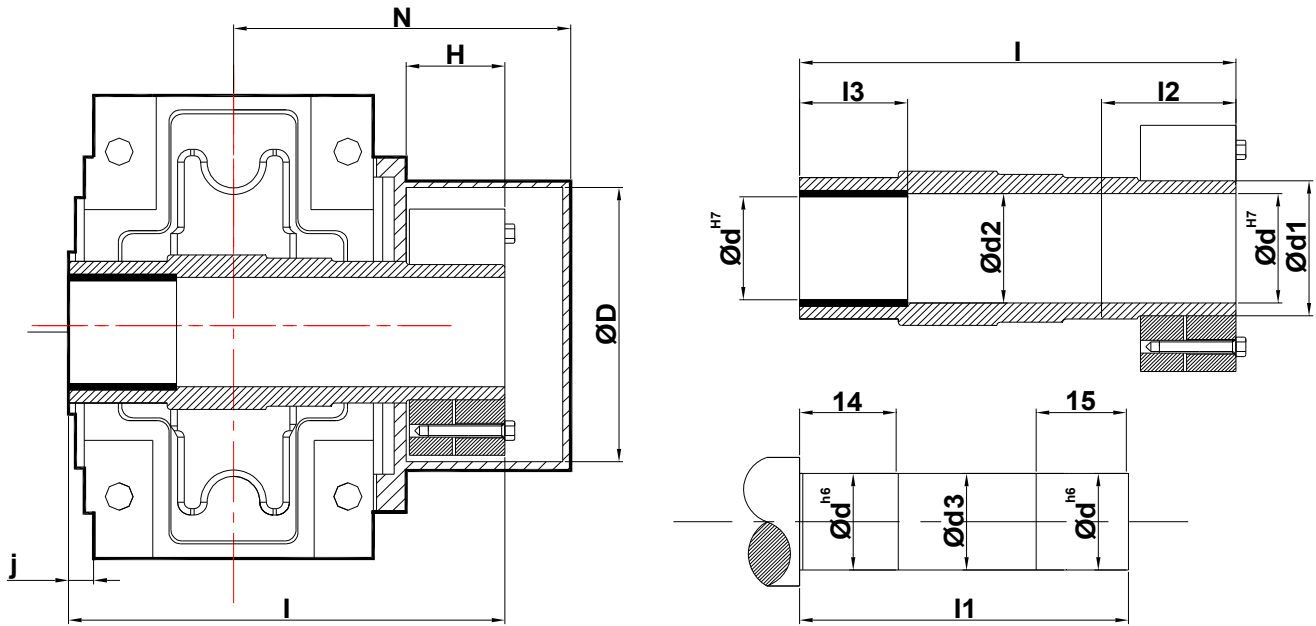
Monoblock Bevel Gear Type

Monoblok-Kegelrad Typ



# ZTEKFEN REDÜKTÖR

Delik Milli Sıkma Bilezikli Redüktörler / Hollow Shaft With Shrink Disc Connector  
Hohlwelle Mit Schrumpfscheibe



Tipi Type Typ																	
	ØD	H	Ød	Ød1	Ød2	Ød3	I	I1	I2	I3	I4	I5	N	j	dx1	Zs	M (Nm)
KRM273	80	24	35	40	36	34	186	189	35	40	43	38	122	6	M8x25	6	12
KRM373	90	26	40	50	41	39	216	219	45	50	53	48	140	5,5	M8x26	8	30
KRM473	110	29	50	60	51	49	249	252	47,5	52,5	55,5	50,5	156	5,5	M8x27	9	30
KRM573	138	31	60	75	61	59	282	285	55	60	63	58	179,5	5,5	M10x30	10	60
KRM673	141	31	70	80	71	69	249	252	60	65	68	63	210	6	M10x30	10	60
KRM773	185	49	90	110	91	89	418	421	80	80	83	83	257	7,5	M12x50	12	100
KRM873	230	58	110	135	111	109	492	495	85	90	93	88	303	9	M14x60	10	200

# MONOBLOK KONİK REDÜKTÖRLER

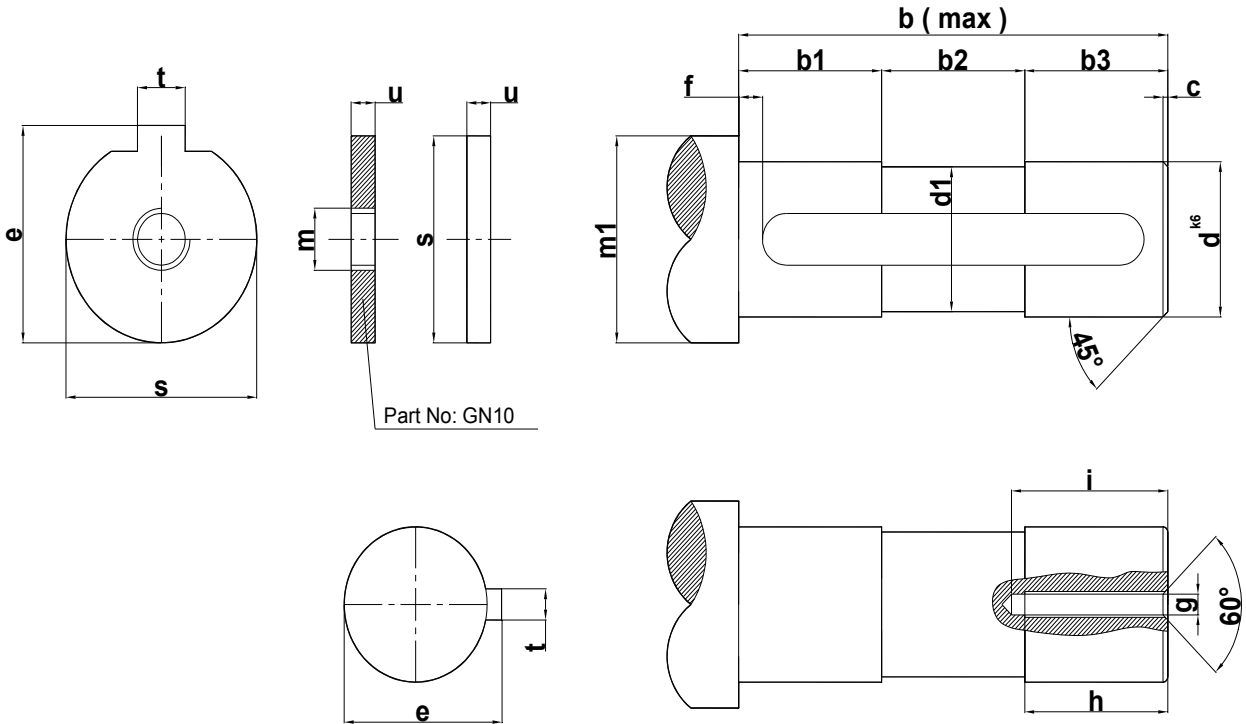
Monoblock Bevel Gear Type

Monoblok-Kegelrad Typ



## ZTEKFEN REDÜKTÖR

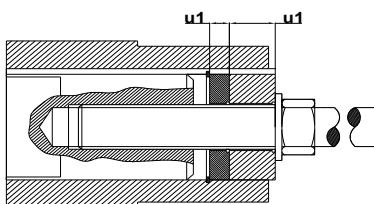
**MONOBLOK KONİK REDÜKTÖRLERDE TAVSİYE EDİLEN MİL BOYU MONTAJ-DEMONTAJ ŞEKLİ ve AKSESUARLARI**  
**ADVISED SHAFT DIMENSIONS AND ACCESORIES USED BY ASSEMBLING FOR MONOBLOCK BEVEL TYPE GEARBOXES**  
**EMPFOLENE WELLEN MASSEN UND VERBINDUNGSELEMENTE BEI MONTAGE FÜR MONOBLOK-KEGELRADGETRIEBE**



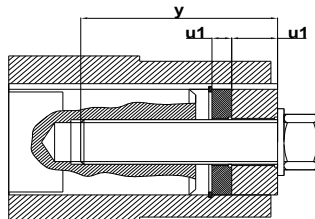
Part No: GN10

Tipi Type Typ	s	m	u	u1	t	e	d	d1	b	b1	b2	b3	c	m1	f	h	i	g
K.273	34,5	M16	6	9	10	38	35	34,5	140	30	97	30	1	43	5	30	37	M12
K.373	39,5	M20	6	14	12	43	40	39	150	40	90	20	2	50		38	45	M16
K.473	49,5	M20	6	14	14	53,5	50	49	180	40	120	20	3	60		38	45	M16
K.573	59,5	M24	6	14	18	64	60	59	206	50	131	25	3	75		44	53	M20
K.673	69,5	M24	8	22	20	74	70	69	260	60	175	25	4	85		44	53	M20
K.773	89,5	M26	8	22	25	95	90	89	300	80	190	30	4	110		52	63	M24
K.873	109,5	M26	10	30	28	116	110	109	360	80	250	30	4	130		52	63	M24

**Çektirme**  
Dismounting  
Einziehen



**Montaj**  
Mounting  
Befestigen



**Çıkartma**  
Pulling Out  
Heraus Drücken

